



BY APPOINTMENT TO
THE ROYAL DANISH COURT

CARL HANSEN & SØN

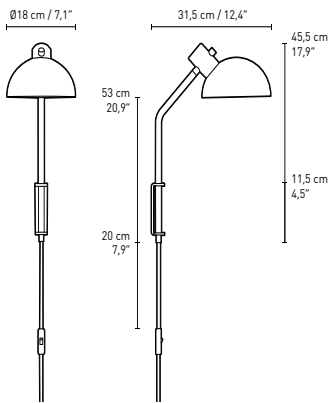


PRODUCT DATA SHEET

MO300 WALL LAMP

The MO Lighting Series is a collection of exquisitely minimalistic lamps designed to bring a sense of serenity and warmth - inspired by the comforting effect that light has on the human experience, especially during the dark days of winter. The Danish designer Mads Odegård chose to focus on two simple and familiar shapes: the hemisphere and the cylinder, forms with clear, logical connections to natural light.

SPECIFICATIONS





Bulb	Dimmable function	Cord
Not included	None	2.5m black wire with in-line switch

	Socket	Watt	Voltage Frequency	Electric shock protection	Ingress protection	Recommended light source
EU/UK	E14	15W	Max. 220-240V/50-60HZ	Class II	IP20	Phillips LED: 4.3W (40W)
US	E12	15W	Max. 120V/60HZ	Class II	IP20	warm white

Packaging dimensions and weight	Height	Width	Length	Cbm	Net.	Tara	Gross	Cartons
	587 mm	400 mm	252 mm	0.06	1.2 kg	1.4 kg	2.6 kg	1/1

Mounting	Preassembled	Cleaning
Black screws and plugs included	Yes	Use damp cloth

MATERIALS

Shade:  White powder-coated steel  Black powder-coated steel